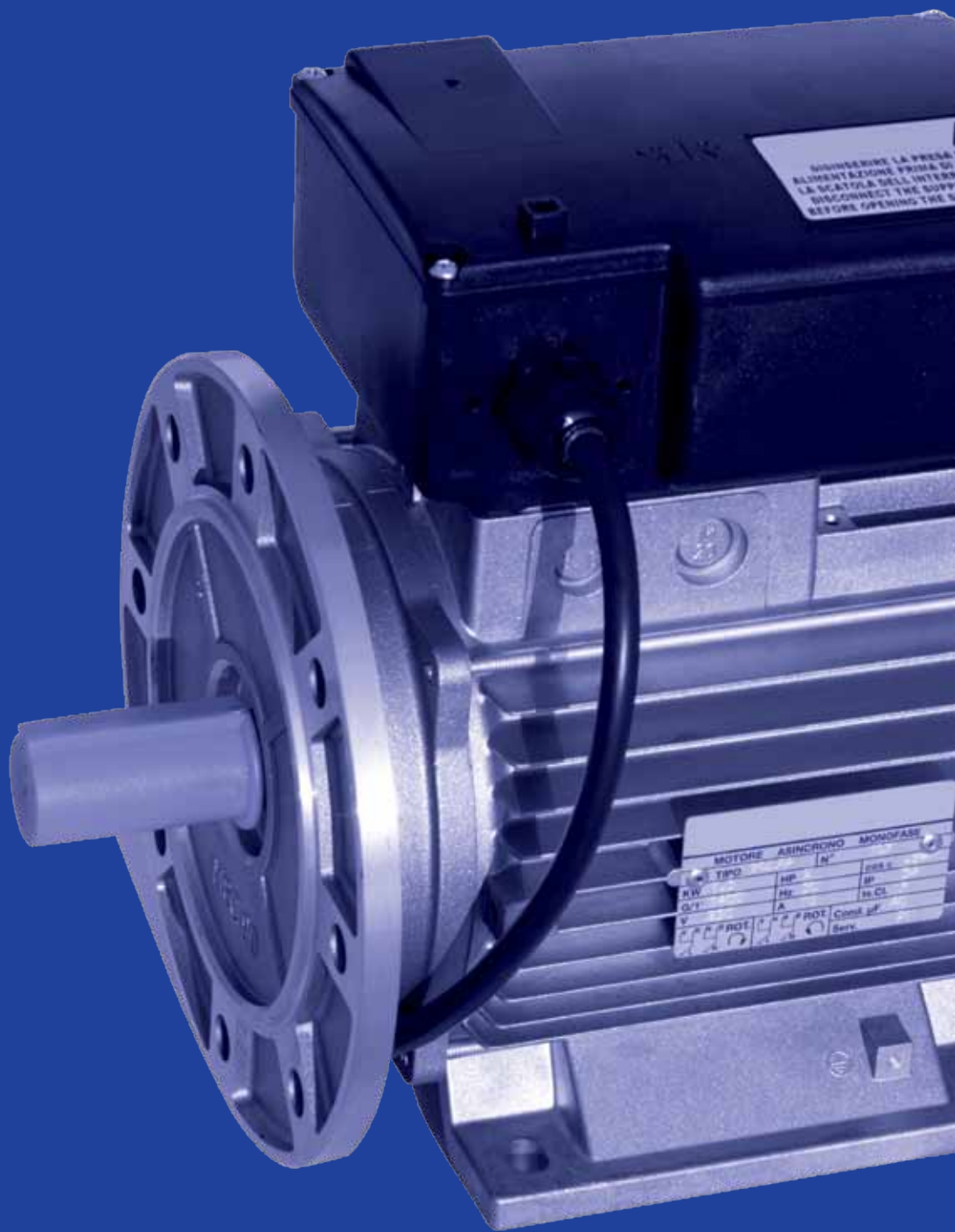


# Motori elettrici

electric motors



# motori asincroni monofase / *Single phase induction motors*

B3 B5 B14

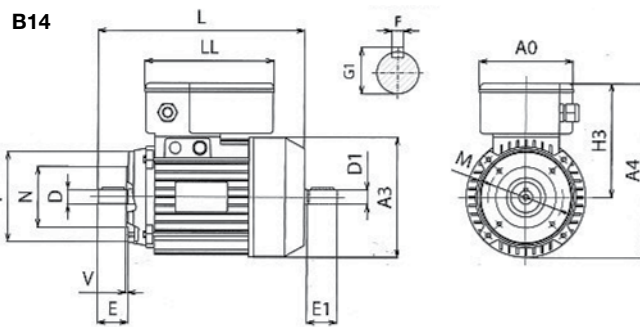
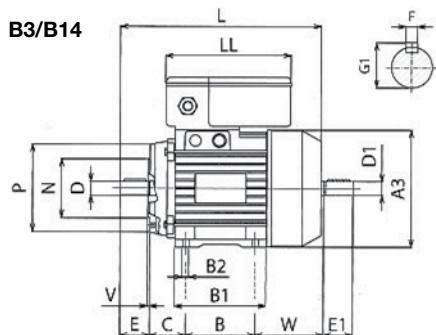


pag.94

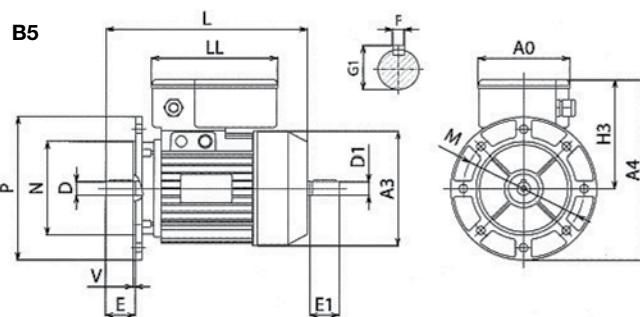
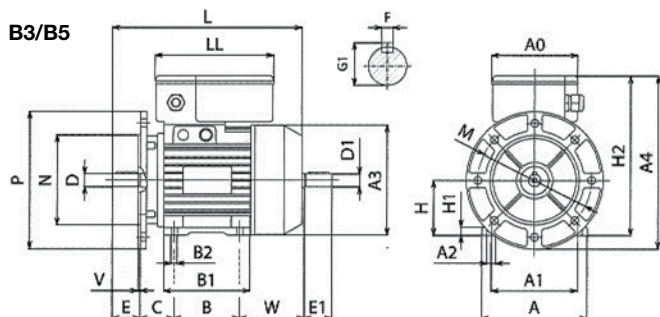


## B3 B5 B14

Motori asincroni monofase *Single phase induction motors*



MEC	Generali <i>General</i>								Accoppiamento <i>Combining</i>											Albero <i>Rotor</i>					
	A0	A3	A4	H2	H3	L	LL	W	A	A1	A2	B	B1	B2	C	H	H1	M	N	P	V	D/D1	E/E1	F	G1
63	87	125	177	177	114	208	117	68	120	98	10	80	101	7	39	63	7	75	60	90	2.5	11	23	4	12.5
71	87	142	195	195	124	248	117	87	135	112	11	90	112	7	46	71	8	85	70	105	2.5	14	30	5	16
80	126	159	232	232	152	278	172	89	153	126	13	100	126	9	50	80	14	100	80	120	3	19	40	6	21.5
90S	126	174	244	247	157	306	172	99	170	140	13	100	130	10	56	90	13	115	95	140	3	24	50	8	27
90L	126	174	244	247	157	331	172	99	170	140	13	125	155	10	56	90	13	115	95	140	3	24	50	8	27
100	126	194	269	272	172	366	172	104	192	160	17	140	170	12	63	100	14	130	110	160	4	28	60	8	31



MEC	Generali <i>General</i>								Accoppiamento <i>Combining</i>											Albero <i>Rotor</i>					
	A0	A3	A4	H2	H3	L	LL	W	A	A1	A2	B	B1	B2	C	H	H1	M	N	P	V	D/D1	E/E1	F	G1
63	87	125	177	177	114	208	117	68	120	98	10	80	101	7	39	63	7	115	95	140	2.5	11	23	4	12.5
71	87	142	204	195	124	248	117	87	135	112	11	90	112	7	46	71	8	130	110	160	2.5	14	30	5	16
80	126	159	252	232	152	278	172	89	153	126	13	100	126	9	50	80	14	165	130	200	3	19	40	6	21.5
90S	126	174	257	247	157	306	172	99	170	140	13	100	130	10	56	90	13	165	130	200	3	24	50	8	27
90L	126	174	257	247	157	331	172	99	170	140	13	125	155	10	56	90	13	165	130	200	3	24	50	8	27
100	126	194	267	272	172	366	172	104	192	160	17	140	170	12	63	100	14	215	180	250	4	28	60	8	31

## Dati tecnici | Technical Data

2 Poli a 3.000 giri V 230 - 50 Hz

2 Poles 3.000 RPM V 230 - 50 Hz

Codice Code	MEC	Potenza Power		Caratteristiche di esercizio					Coppia max	Corrente AVV	Coppia AVV	Momento inerzia	Conden.	€ cad € each
		KW	HP	Giri/min	n%	Cosφ	A (230V)	Cn	Cm/Cn	Is/In	Cs/Cn	J/(Kgm)	Cond(uF)	
<b>15063A2</b>	63A2	0.18	0.25	2790	62	0.92	2	0.62	1.8	3	0.45	0.00096	10	<b>128,00</b>
<b>15063B2</b>	63B2	0.25	0.35	2770	61	0.92	2	0.86	1.9	2.8	0.5	0.00012	12,5	<b>132,00</b>
<b>15071A2</b>	71A2	0.37	0.5	2805	70	0.93	3	1.26	2	3.3	0.55	0.00026	12,5	<b>160,00</b>
<b>15071B2</b>	71B2	0.55	0.75	2815	74	0.94	4.5	1.86	1.7	3.3	0.46	0.00033	16	<b>165,00</b>
<b>15080A2</b>	80A2	0.75	1	2700	59	0.98	5.6	2.61	1.53	3.1	0.76	0.00063	25	<b>195,00</b>
<b>15080B2</b>	80B2	1.1	1.5	2700	62	0.99	7	3.6	1.53	3.8	0.73	0.00078	31,5	<b>202,00</b>
<b>15080C2</b>	80C2	1.5	2	2780	65	0.98	10.3	5.4	1.33	4	0.57	0.0008	35	<b>223,00</b>
<b>15090S2</b>	90S2	1.5	2	2765	67	0.92	10.5	5.2	1.73	3.3	0.72	0.0011	40	<b>263,00</b>
<b>15090L2</b>	90L2	1.85	2.5	2770	65	0.97	13.2	6.4	1.67	3.4	0.92	0.0012	55	<b>278,00</b>
<b>15090LM2</b>	90LM2	2.2	3	2780	66	0.97	14.8	7.68	1.72	3.6	0.77	0.0013	60	<b>280,00</b>

## Dati tecnici | Technical Data

4 Poli a 1.500 giri V 230 - 50 Hz

4 Poles 1.500 RPM V 230 - 50 Hz

Codice Code	MEC	Potenza Power		Caratteristiche di esercizio					Coppia max	Corrente AVV	Coppia AVV	Momento inerzia	Conden.	€ cad € each
		KW	HP	Giri/min	n%	Cosφ	A (230V)	Cn	Cm/Cn	Is/In	Cs/Cn	J/(Kgm)	Cond(uF)	
<b>15063A4</b>	63A4	0.13	0.18	1380	50	0.84	1.3	0.85	1.6	2.1	0.58	0.0002	8	<b>137,00</b>
<b>15063B4</b>	63B4	0.18	0.25	1350	55	0.84	2	1.27	2	2.9	0.89	0.00057	10	<b>142,00</b>
<b>15071A4</b>	71A4	0.25	0.35	1355	61	0.84	2.2	1.8	1.8	2.7	0.86	0.00067	10	<b>153,00</b>
<b>15071B4</b>	71B4	0.37	0.5	1365	55	0.97	3	2.7	1.25	2.9	0.71	0.00096	12.5	<b>168,00</b>
<b>15071C4</b>	71C4	0.5	0.7	1360	54	0.91	4.3	3.8	1.14	2.9	0.61	0.0012	12.5	<b>185,00</b>
<b>15080A4</b>	80A4	0.55	0.75	1360	57	0.95	4.4	3.87	1.56	2.9	0.75	0.0017	20	<b>200,00</b>
<b>15080B4</b>	80B4	0.75	1	1370	60	0.9	6	5.2	1.8	3.5	0.71	0.0021	25	<b>223,00</b>
<b>15090S4</b>	90S4	1.1	1.5	1365	67	0.94	7.8	7.65	1.5	3.3	0.61	0.0022	35	<b>255,00</b>
<b>15090L4</b>	90L4	1.5	2	1370	68	0.91	10.5	10.6	1.6	3	0.5	0.0026	40	<b>270,00</b>
<b>15090LM4</b>	90LM4	1.85	2.5	1400	64	0.95	13.3	12.7	1.7	3.8	0.7	0.0029	50	<b>300,00</b>
<b>15100A4</b>	100A4	2.2	3	1385	71	0.97	14	15	1.51	3.9	0.41	0.0071	55	<b>370,00</b>

## Dati tecnici | Technical Data

6 Poli a 1.000 giri V 230 - 50 Hz

6 Poles 1.000 RPM V 230 - 50 Hz

Codice Code	MEC	Potenza Power		Caratteristiche di esercizio					Coppia max	Corrente AVV	Coppia AVV	Momento inerzia	Conden.	€ cad € each
		KW	HP	Giri/min	n%	Cosφ	A (230V)	Cn	Cm/Cn	Is/In	Cs/Cn	J/(Kgm)	Cond(uF)	
<b>15071A6</b>	71A06	0.18	0.25	870	50	0.78	2	1.98	1.9	2.6	0.79	0.00094	12.5	<b>180,00</b>
<b>15071B6</b>	71B6	0.25	0.35	920	64	0.85	2	2.6	2	2.5	0.8	0.000192	12.5	<b>195,00</b>
<b>15080A6</b>	80A6	0.37	0.5	900	65	0.82	3	3.93	2.1	2.6	0.7	0.000021	12.5	<b>215,00</b>
<b>15080B6</b>	80B6	0.55	0.75	900	65	0.82	4.5	5.84	2.2	2.7	0.73	0.0000226	20	<b>245,00</b>
<b>15090A6</b>	90A6	0.75	1	900	69	0.95	5	7.96	2.5	2.9	0.75	0.0000246	31.5	<b>300,00</b>
<b>15090L6</b>	90L6	1.1	1.5	900	68	0.94	7.5	11.67	2.7	2.8	0.72	0.000043	35	<b>390,00</b>
<b>15100A6</b>	100A6	1.5	2	950	70	0.99	10.5	15.08	2.9	2.7	0.73	0.0000947	40	<b>440,00</b>